

# SENS

## SENS 7510 Series

### Heavy Duty Weighing Indicator

#### FEATURES:

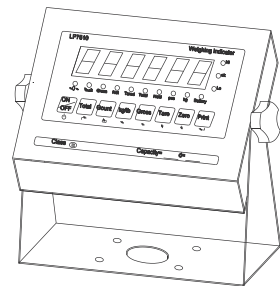
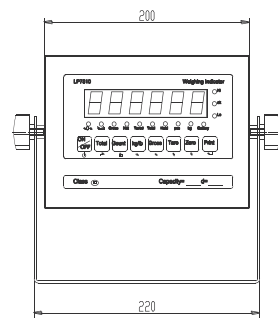
- Durable Stainless Steel Enclosure
- NTEP Approved for 5000 Divisions
- Application for Bench Scale, Platform Scale, Floor Scale etc.
- 6 Digits LED or LCD Display Options
- Full Duplex RS-232 Serial Port
- Displays Up to 50,000 Graduations
- Drives Up to 6-350Ω Load Cell
- Automatic: Hold (average or peak hold), Error Warning Alarm, Date & Time Update, Power Off & Power Save and Upper/lower Limit Alarm
- 100% Manual Zero Range Settings

7510

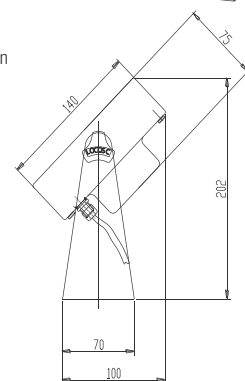
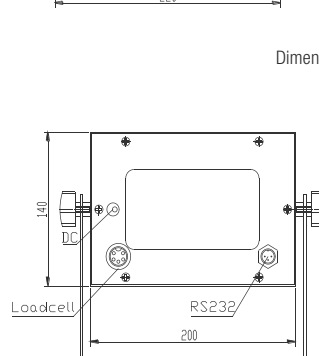


#### SPECIFICATIONS:

SENS LP-7510	Model Info.
Display	6 Digits Display, 7 Keys with Double Function
Housing	Mild Steel IP65.
Functions	Zero, Gross, Net, Accumulating, Printing, Counting, Classifying, Check Weighing, Animal-Scale. Toggle Pperation: kg/lb,
Accuracy Class	6000 e/30000d
Mounting	Desk-Top, Wall, Column, Adjustable Angle.
Power	110/220V AC (-15%~+10%), 50/60Hz.
Zero Stability Error	TK0 < 0.1++V//K
Span stability error	TKspn < ± 6 ppm//K
Sensitivity (internal)	0.12 ++ V/count
Battery	DC 6V4Ah Rechargeable Battery
Temperature Range	-10°C ~ +40°C
Indicator Dimensions	7.87"(L) X 2.95"(W) X 7.17"(H)



Dimension



OPTIONS	
LED or LCD display	Stainless Steel Stand.
Thermal Printer.	RS232 Port

Specifications are subject to change for improvement without prior notice.